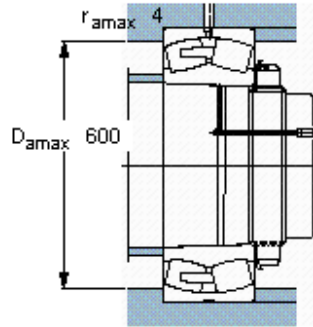
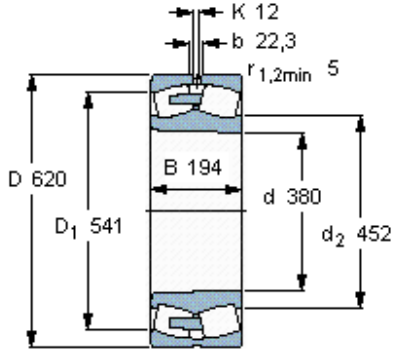


Spherical roller bearings, cylindrical and tapered bore

Principal dimensions			Basic load ratings		Speed ratings	Limiting speed	Designation
d	D	B	dynamic C	static C0	Reference speed		
mm			kN		r/min		
380	620	194	4561	7100	560	1000	* SKF Explorer bearing - 23176 CAK/W33 *



Tapered bore, taper
1: 12

- Calculation factors**
- e 0,3
 - Y_1 2,3
 - Y_2 3,4
 - Y_0 2,2